



A basic cinch pack at a very friendly price. Lightweight and easy to wear over your shoulder thanks to adjustable-length drawcord straps.

- 210 denier polyester
- Black drawcord closure allows this bag to double as a backpack
- Reinforced bottom grommets
- Available in a rainbow of colors
- Dimensions: 16.5”h x 14.5”w

Note: Bags not intended for use by children 12 and under.

**CARE INSTRUCTIONS**

Recommend Hand Spot Wash with Damp Cloth and Mild soap; lay flat or hang to dry.

**COLOR INFORMATION**



Black  
NTR BLACK C



Cardinal  
7421 C



Carolina Blue  
2129 C



Forest Green  
560 C



Gold  
130 C



Graphite Grey  
NO MATCH



Lime Shock  
2290 C



Neon Pink  
NO MATCH



Neon Yellow  
NO MATCH



Orange  
172 C



Pink Azalea  
675 C



Purple  
7679 C



Texas Orange  
7584 C



True Navy  
2380 C



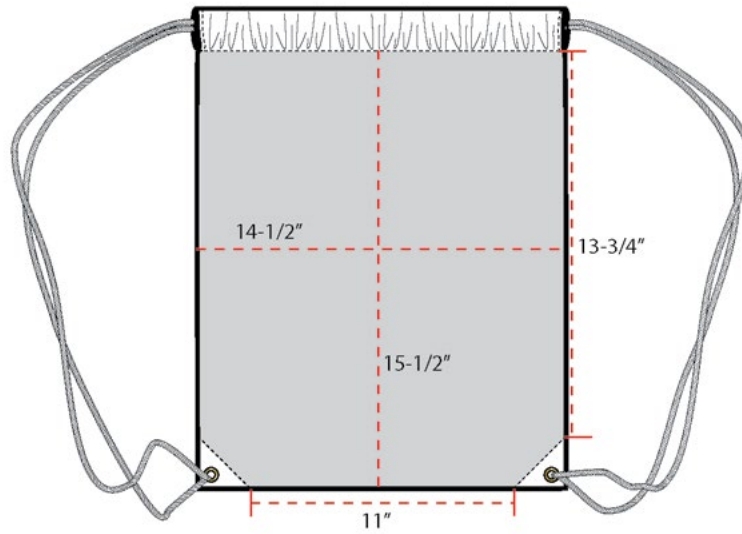
True Red



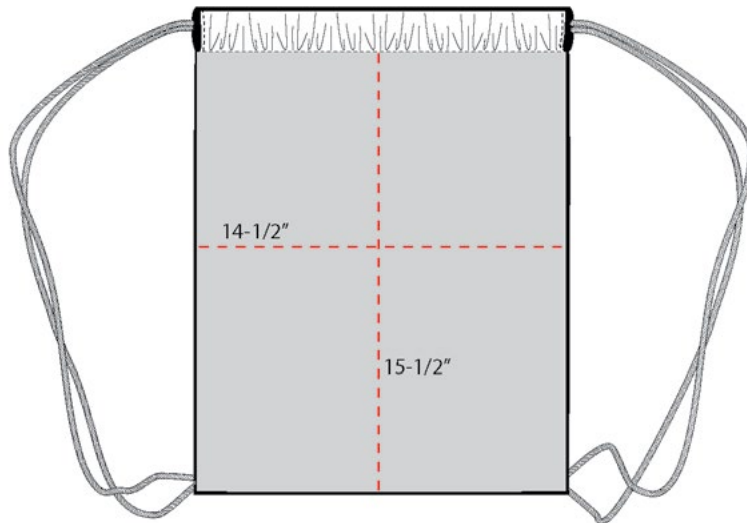
True Royal  
7687 C



Turquoise  
2183 C



FRONT VIEW



BACK VIEW